

Batt-Oper Drill - 0 601 938 061 - GBM 7,2 V-2

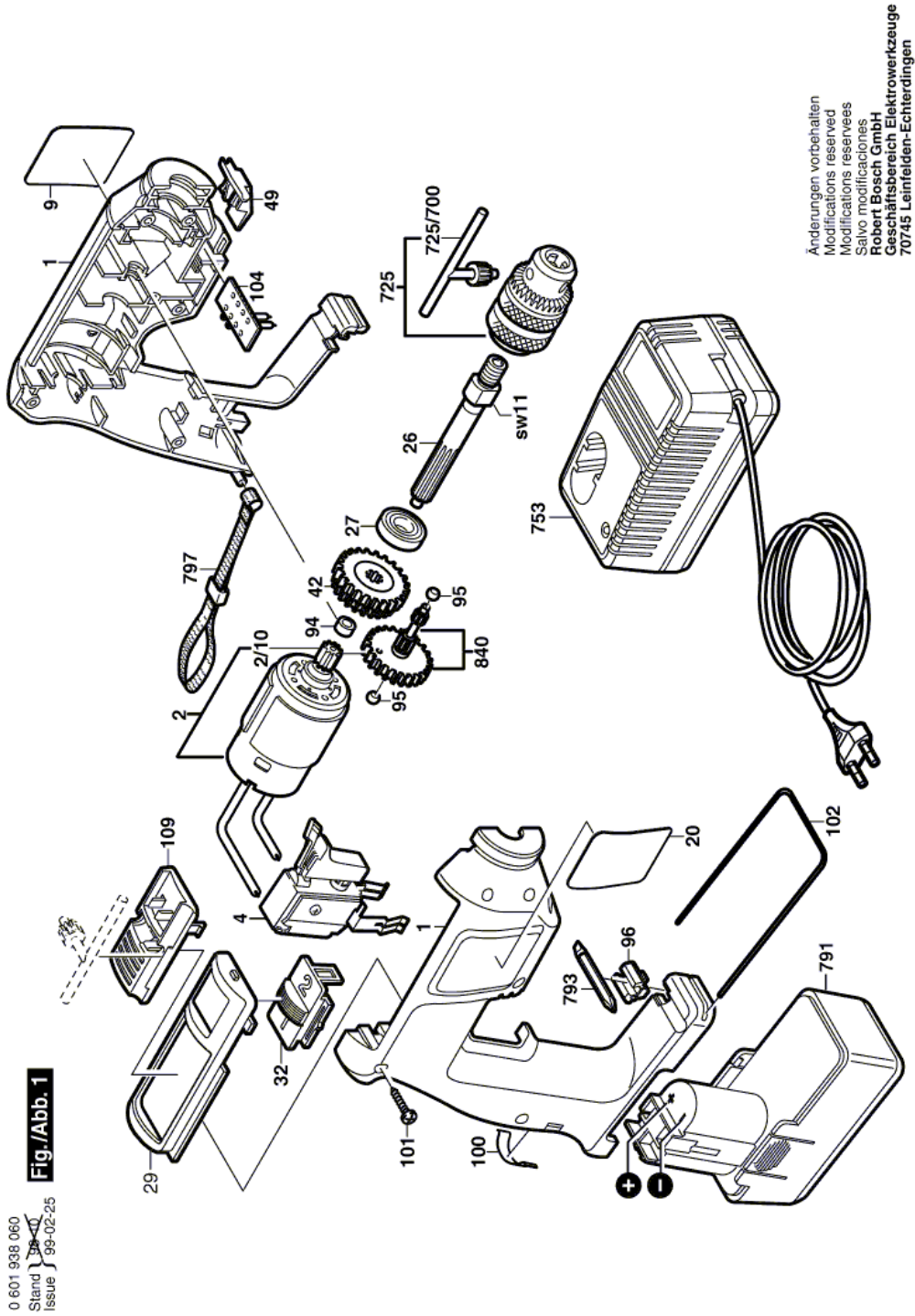
www.powertools-aftersaleservice.com



BOSCH

Item	Part Number	Description	Illustration	Price	Quantity	Price Group
	1 2 605 104 421	Housing Section BLUE	1	-,-	1	27
	2 2 607 022 928	DC motor 9,6-12V	1	-,-	1	36
2/10	2 606 316 112	Pinion Z=11	1	-,-	1	16
	4 2 607 200 317	On-Off Switch	1	-,-	1	31
	9 2 601 118 534	Sticker SUNNY SIDE	1	-,-	1	-
	20 2 601 118 535	Sticker SHADOW SIDE	1	-,-	1	-
	26 2 606 309 915	Drilling Spindle 3/8"	1	-,-	1	28
	27 1 900 905 120	Deep-Groove Ball Bearing 10x26x8	1	-,-	1	22
	29 2 605 510 137	Insert Piece BLACK	1	-,-	1	13
	32 2 601 099 056	Adjusting Slide BLACK	1	-,-	1	11
	42 1 609 340 007	Set Of Gears Z=58/67	1	-,-	1	30
	49 2 605 510 117	Insert Piece BLACK	1	-,-	1	11
	94 2 600 301 011	Sintered-Metal Bushing	1	-,-	1	11
	95 2 600 302 002	Sintered-Metal Bushing	1	-,-	2	11
	96 2 608 040 131	Support	1	-,-	1	12
	100 2 601 322 016	Clamp Spring	1	-,-	1	14
	101 2 603 490 022	Torx Oval-Head Screw 4x16	1	-,-	6	10
	102 2 601 329 041	Retaining Bracket	1	-,-	1	11
	104 2 608 018 004	Contact retainer	1	-,-	1	16
	109 2 608 040 078	Toolholder	1	-,-	1	14
	725 2 608 571 032	Key Chuck Ø 1-10 MM,3/8"	1	-,-	1	-
725/700	1 607 950 053	Chuck Wrench SG1, Ø5x80 MM	1	-,-	1	-
	753 2 607 224 431	Fast Charger USA 120/7,2-24V, 1h	1	-,-	1	48
	753 2 607 224 708	Fast Charger USA 120/7,2-14,4V, 30 MIN.	1	-,-	1	-
	791 2 607 336 141	Slide-In Accu Package 7,2V,1,5Ah,NiCd	1	-,-	1	40
	793 2 608 521 018	Screwdriver Blade	1	-,-	1	18
	797 2 601 398 009	Carrying Loop	1	-,-	1	-
	840 1 609 340 005	Toothed Shaft Z=10/19/81	1	-,-	1	29
	899 0 601 938 070	. BATTERY WITHOUT CHARGER	N/A	-,-	1	-

Illustration - Type E



Anderungen vorbehalten
Modifications reserved
Salvo modificaciones reservadas
Robert Bosch GmbH
Geschäftsbereich Elektrowerkzeuge
70745 Leinfelden-Echterdingen

Information subject to change without further notice.